

# MASONRY

## RENDER SYSTEM



### WHAT IS THE.....

#### Masonry Render System.?

Our premium reinforced, weather protected Plaster System applied over new or existing brick, or concrete block.

Modern architecture places tremendous demand on the building envelope. The Masonry Render System offers the flexibility to meet these demands in a cost effective manner whilst enhancing the aesthetics of masonry / brick all the while protecting the structure

#### Proven Technology

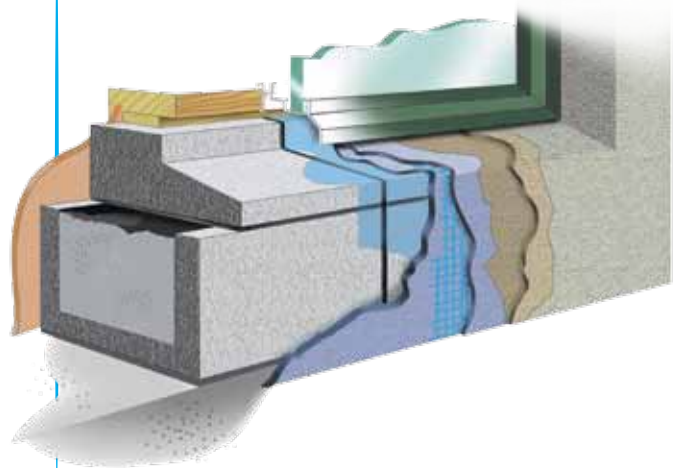
The Masonry Render System incorporates weather protection with our lamina of hand applied modified renders, fibreglass reinforcement all finished with your choice of texture from our wide range incorporating 'genuine' Resene colours. All installed over the time tested masonry construction method.

#### Attractive and Durable

This System carries our written 15 year Performance Guarantee, and 5 year Workmanship Warranty from your qualified LBP Registered Plasterer. The MASONRY Render System includes our premium OnSite Assistance programme providing surety of performance from installation to finish.

#### System Features:

- Fibreglass reinforced
- Hand Plastered
- Registered LBP plasterer application
- Performance Guarantee
- 'Genuine' Resene Colour Range
- Technical OnSite Assistance



**Resene**   
Construction Systems

# MASONRY

## RENDER SYSTEM

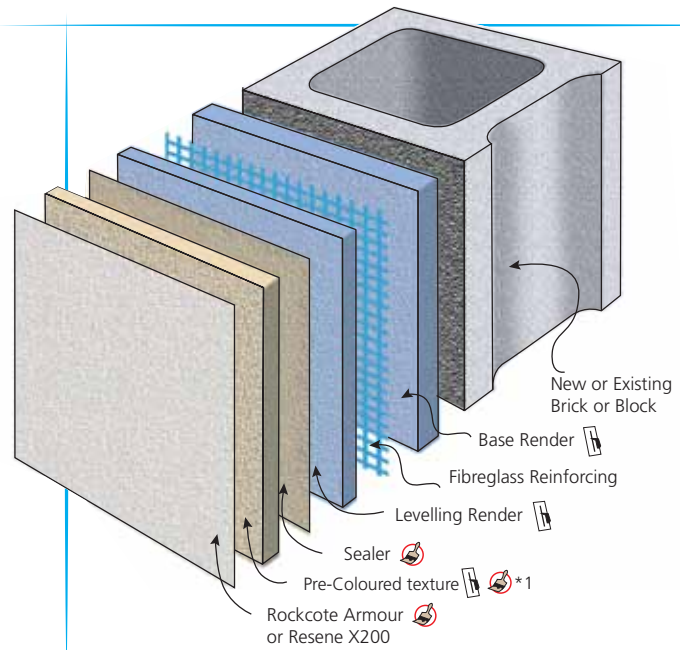
\*1 Natural Mineral texture finishes are available upon request. All our Natural Mineral textures are finished with a Resene Construction Systems approved 3 coat paint system.



Indicates Hand Plastered applications



Indicates pre-coloured applications



	<b>INTEGRA Façade</b> Light Weight Concrete	<b>INTEGRA Flooring</b>	<b>INTEGRA Fencing</b>	<b>GRAPHEX</b> Insulated Façade	<b>GRAPHEX</b> Solid	<b>GRAPHEX</b> Masonry Overlay	<b>Masonry Block</b>	<b>Fibre Cement</b>	<b>LiteRock</b>	<b>Brick</b>	<b>ICF</b> (Polystyrene Blocks)	<b>Tilt Panel</b>	<b>Milano</b> interior	<b>Earthen</b> interior	<b>Marakesh</b>
--	--	-------------------------	------------------------	---------------------------------	----------------------	--------------------------------	----------------------	---------------------	-----------------	--------------	---------------------------------	-------------------	------------------------	-------------------------	-----------------

Insulated	○	○		○	○	○					○				
Impact Resistance	○	○	○	○	○	○	●	○	○	○	○	○	○	○	○
Acoustic	○	○	○	○	○	○	●				○	○	○	○	○
Resene Colours	○		○	○	○	○	●				○		○	○	○
BRANZ	○			○	○	○		○	○	○					
Fire Tests	○			○	○	○	●	○	○	○	○	○	○	○	○
FPB	○	○	○	○	○	○	●	○	○	○		○	○	○	○
Full Render System	○		○	○	○	○	●	○			○				
Substrate supplied	○	○	○	○	○	○									
Acrylic Texture	○		○	○	○	○	●	○	○	○	○	○	○	○	○
Mineral Texture	○		○	○	○	○	●	○	○	○	○	○	○	○	○
Cavity System	○			○				○	○	○					
GreenSite	○	○	○	○	○	○	●	○	○	○	○	○	○	○	○
Masonry Construction	○	○	○		○	○	●			○	○	○	○	○	○
Window Reveals	○			○	○	○	●			○	○				