

Sheet List Table	
Sheet Number	Sheet Title
123.00.00	Drawing Register
123.16.01	Fencing Options
123.16.02	Post Setout
123.16.03	Post Cross Section

TradeSpec™ and RenderSpec™ are Registered Trademarks, both Documents are available on the Resene Construction Systems



CONFIDENTIALITY: No part of this publication may be reproduced or transmitted other than the intended use by Resene Construction Systems without written consent from the author.

System
INTEGRA Fencing System

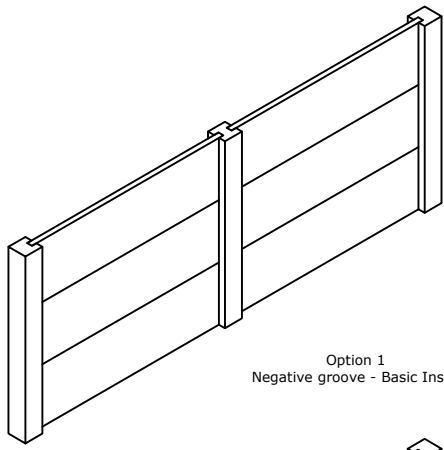
Substrate
Steel Hollow Section Posts

Drawing Name
Drawing Register

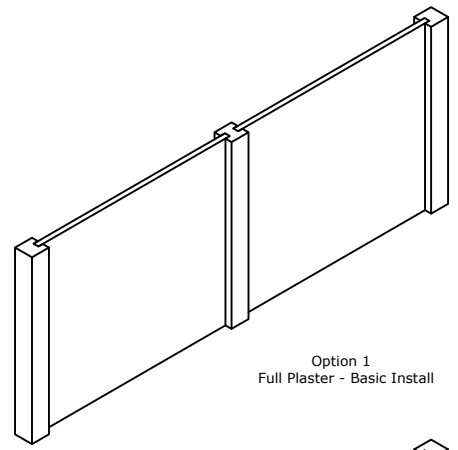
Scale
NTS @ A4

Date
6 September 2019

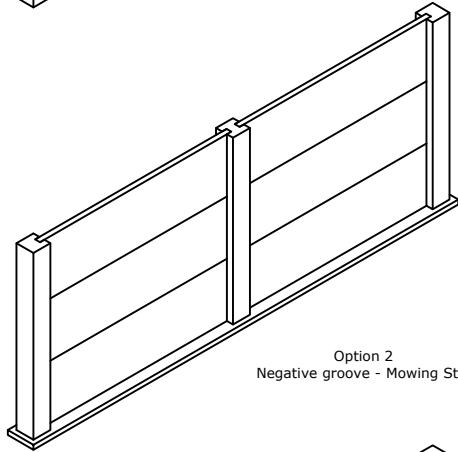
Sheet
123.00.00



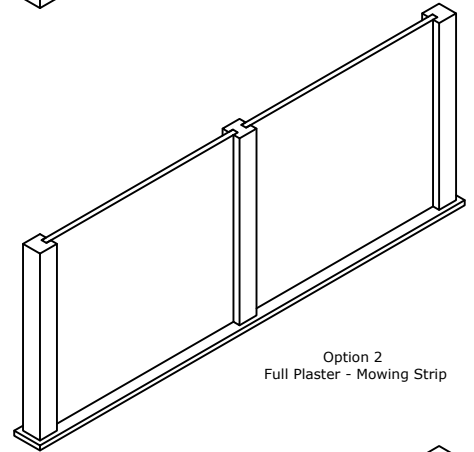
Option 1
Negative groove - Basic Install



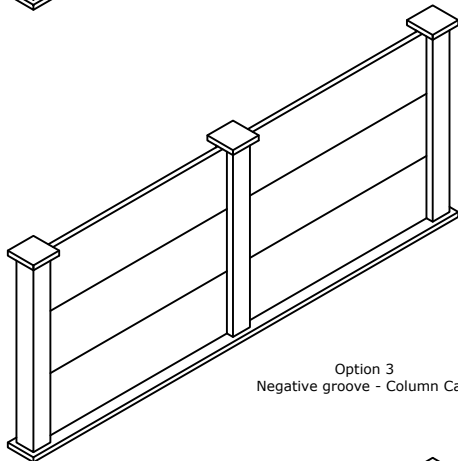
Option 1
Full Plaster - Basic Install



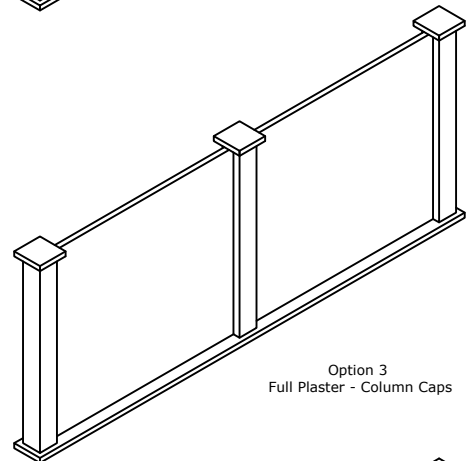
Option 2
Negative groove - Mowing Strip



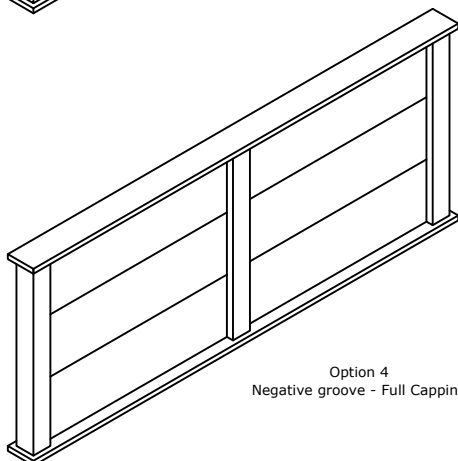
Option 2
Full Plaster - Mowing Strip



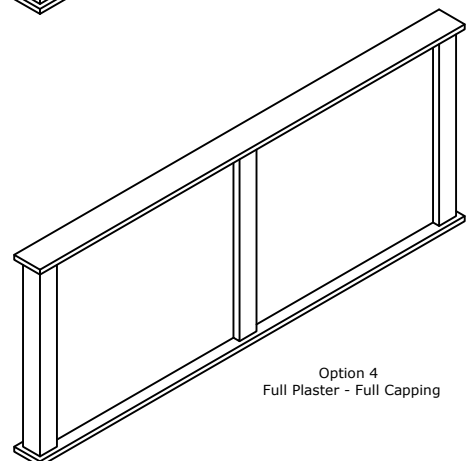
Option 3
Negative groove - Column Caps



Option 3
Full Plaster - Column Caps

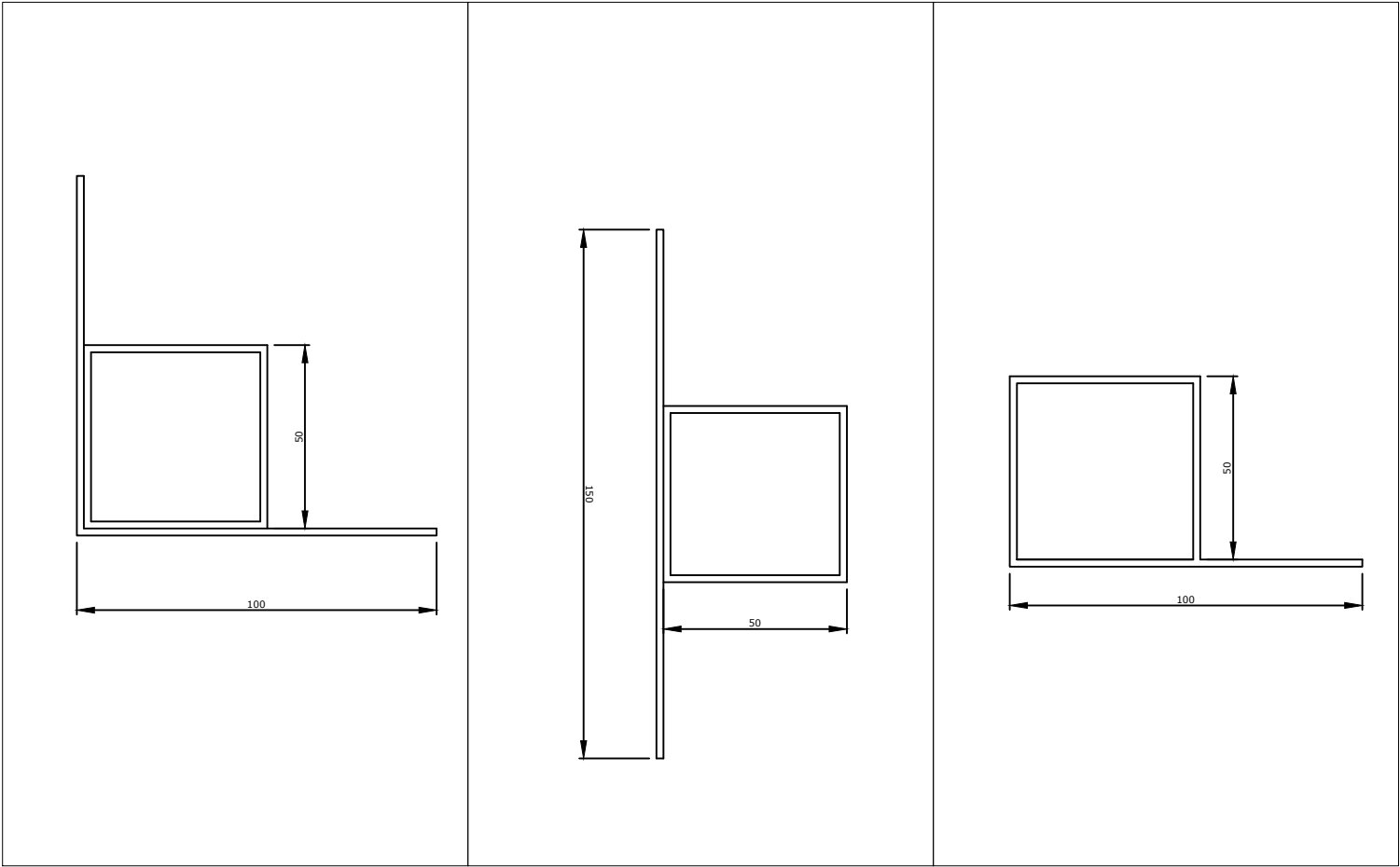
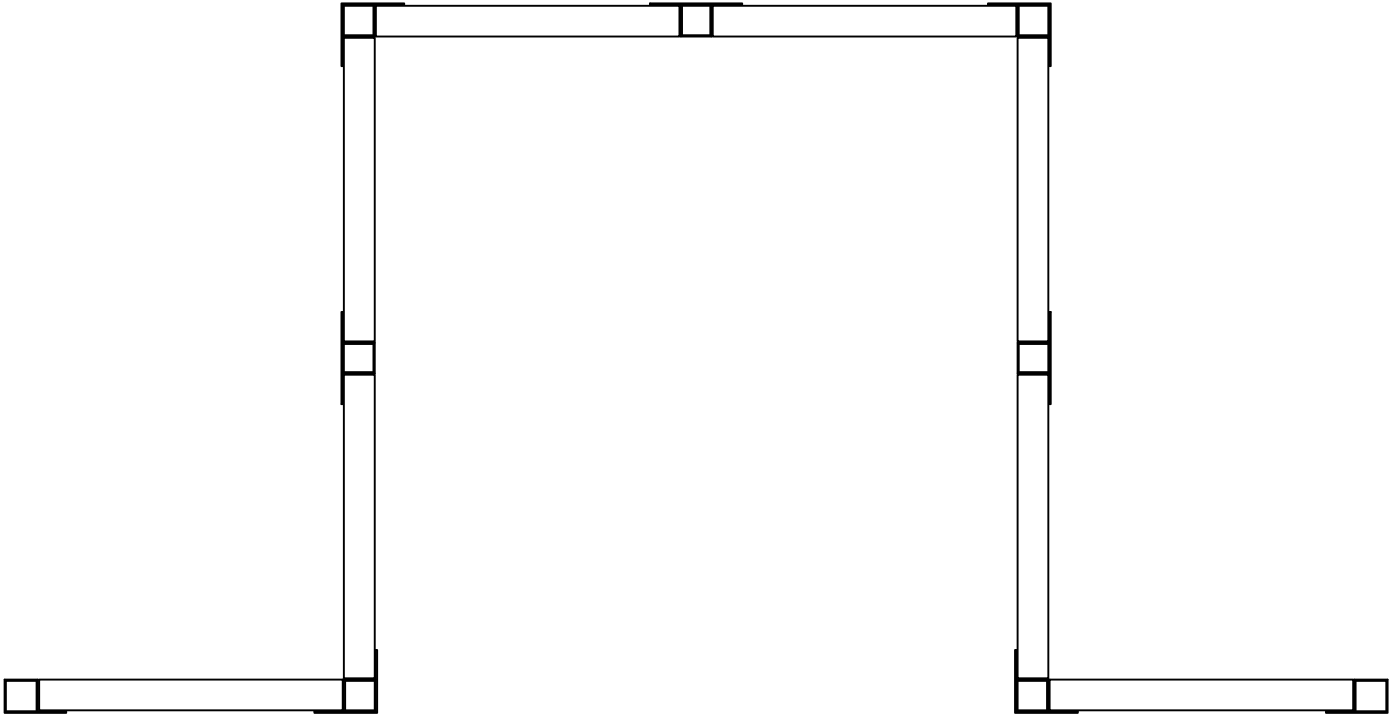


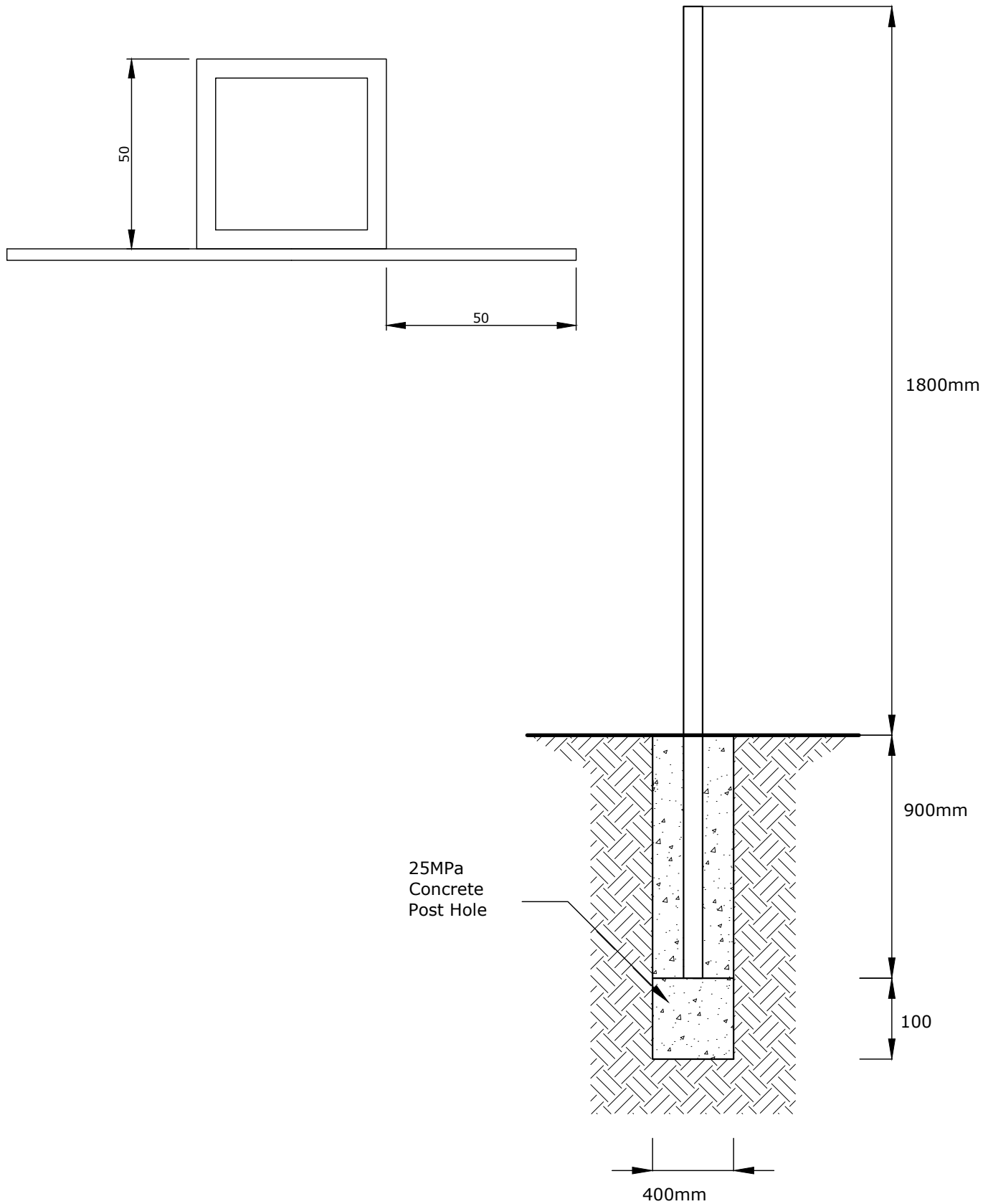
Option 4
Negative groove - Full Capping



Option 4
Full Plaster - Full Capping

TradeSpec™ and RenderSpec™ are Registered Trademarks, both Documents are available on the Resene Construction Systems





TradeSpec™ and RenderSpec™ are Registered Trademarks, both Documents are available on the Resene Construction Systems

Resene 
Construction Systems

CONFIDENTIALITY: No part of this publication may be reproduced or transmitted other than the intended use by Resene Construction Systems without written consent from the author.

System
 INTEGRA Fencing System

Substrate
 Steel Hollow Section Posts

Drawing Name
 Post Cross Section

Scale
 NTS @ A4

Date
 6 September 2019

Sheet
 123.16.03