

Sheet List Table	
Sheet Number	Sheet Title
121.00.00	Drawing Register
121.16.01	Fencing Options
121.16.02	Post Setout

TradeSpec™ and RenderSpec™ are Registered Trademarks, both Documents are available on the Resene Construction Systems



CONFIDENTIALITY: No part of this publication may be reproduced or transmitted other than the intended use by Resene Construction Systems without written consent from the author.

System
INTEGRA Fencing System

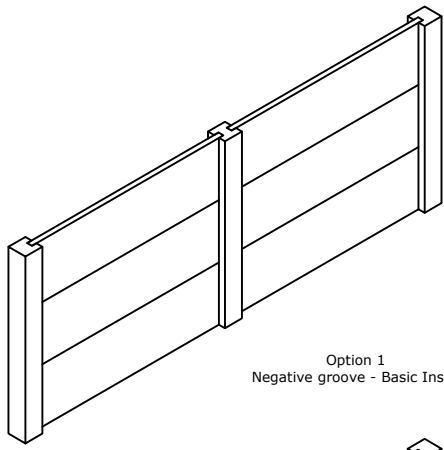
Substrate
AAC Posts

Drawing Name
Drawing Register

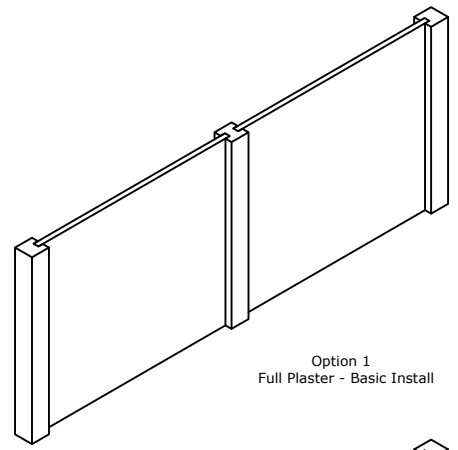
Scale
1 : 2 @ A4

Date
6 September 2019

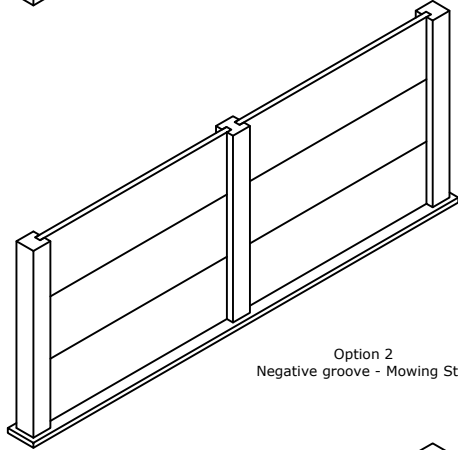
Sheet
121.00.00



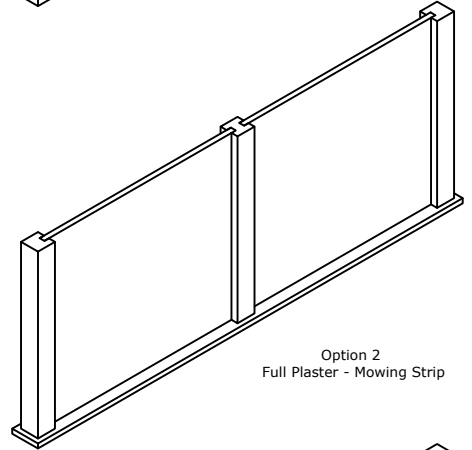
Option 1
Negative groove - Basic Install



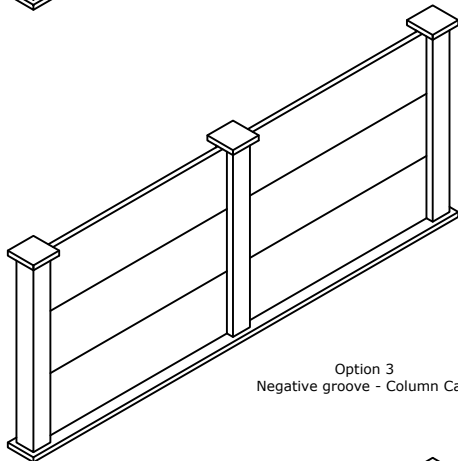
Option 1
Full Plaster - Basic Install



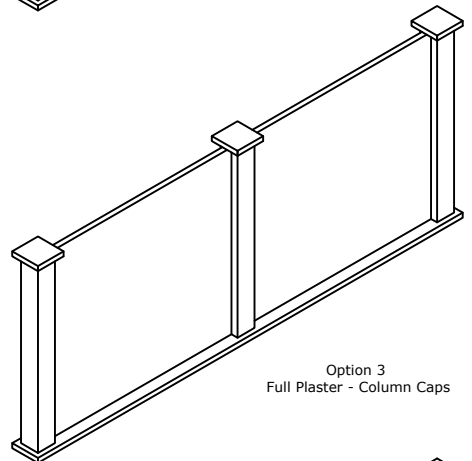
Option 2
Negative groove - Mowing Strip



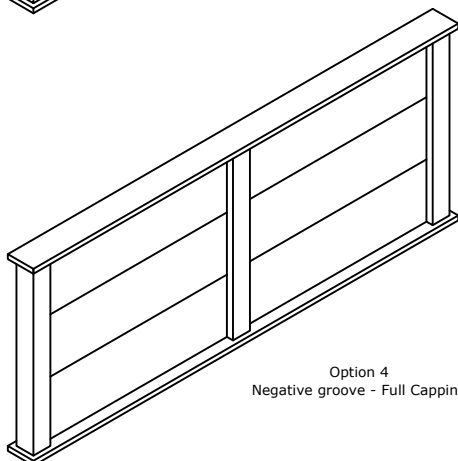
Option 2
Full Plaster - Mowing Strip



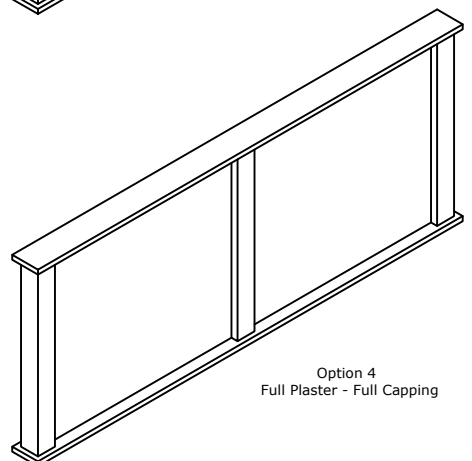
Option 3
Negative groove - Column Caps



Option 3
Full Plaster - Column Caps

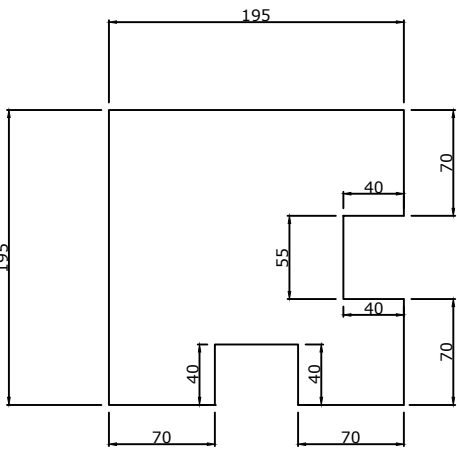
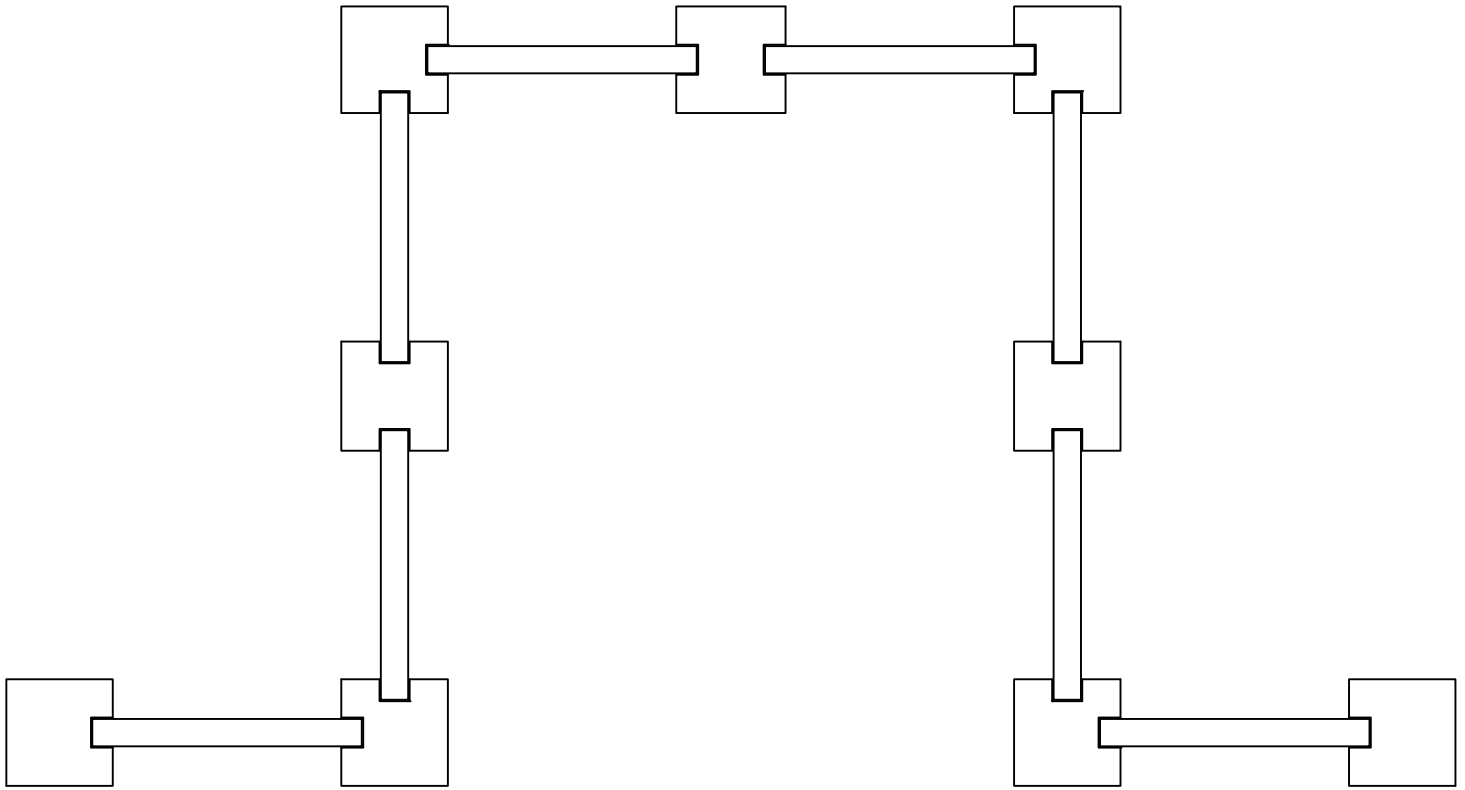


Option 4
Negative groove - Full Capping

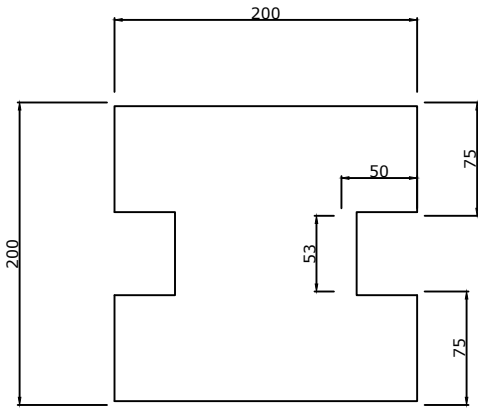


Option 4
Full Plaster - Full Capping

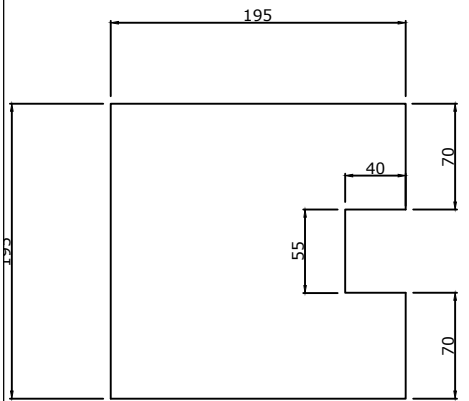
TradeSpec™ and RenderSpec™ are Registered Trademarks, both Documents are available on the Resene Construction Systems



Internal/External Corner Post



Inline Post



End Post

TradeSpec™ and RenderSpec™ are Registered Trademarks, both Documents are available on the Resene Construction Systems