

Sheet List Table	
Sheet Number	Sheet Title
120.00.00	Drawing Register
120.16.01	Fencing Options

TradeSpec™ and RenderSpec™ are Registered Trademarks, both Documents are available on the Resene Construction Systems



CONFIDENTIALITY: No part of this publication may be reproduced or transmitted other than the intended use by Resene Construction Systems without written consent from the author.

System  
**INTEGRA Fencing System**

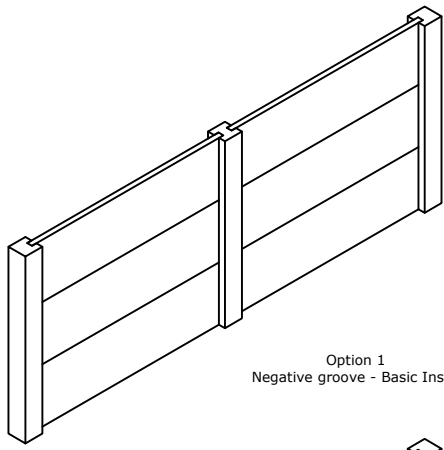
Substrate  
**BelAire Posts**

Drawing Name  
**Drawing Register**

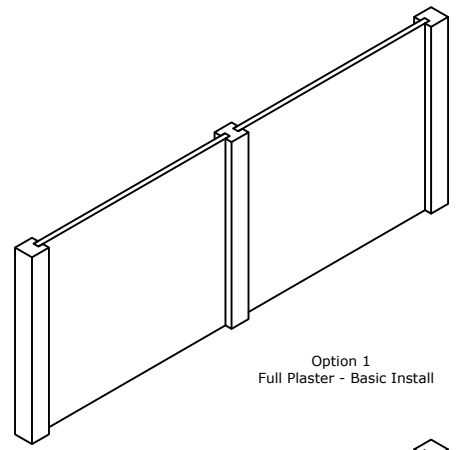
Scale  
**NTS @ A4**

Date  
**6 September 2019**

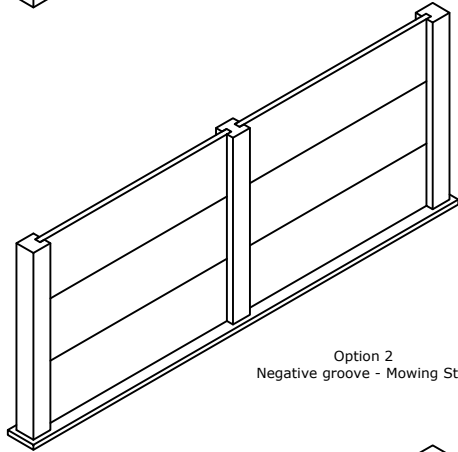
Sheet  
**120.00.00**



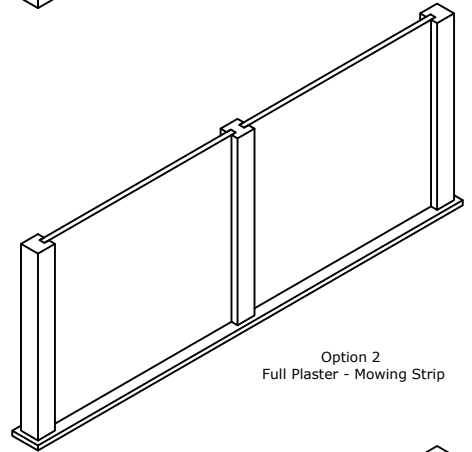
Option 1  
Negative groove - Basic Install



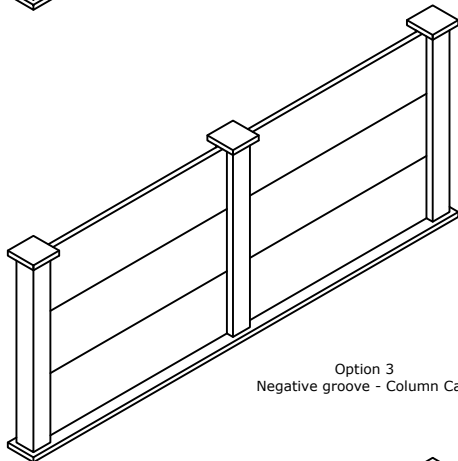
Option 1  
Full Plaster - Basic Install



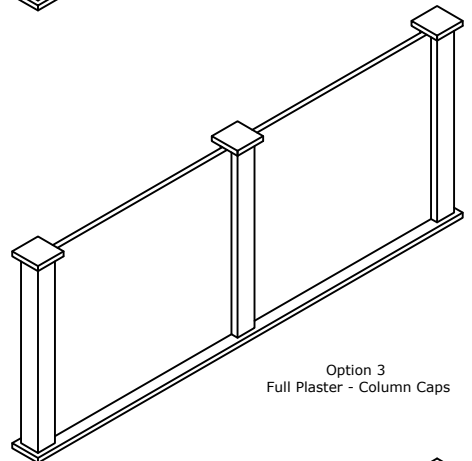
Option 2  
Negative groove - Mowing Strip



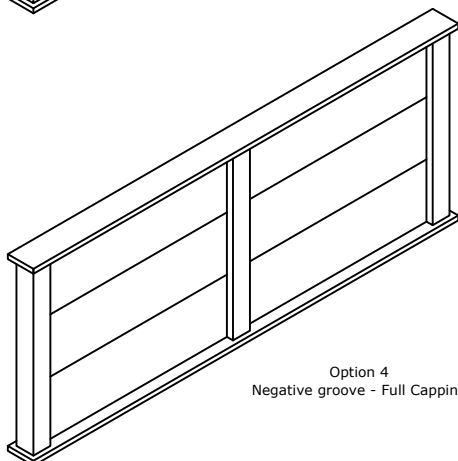
Option 2  
Full Plaster - Mowing Strip



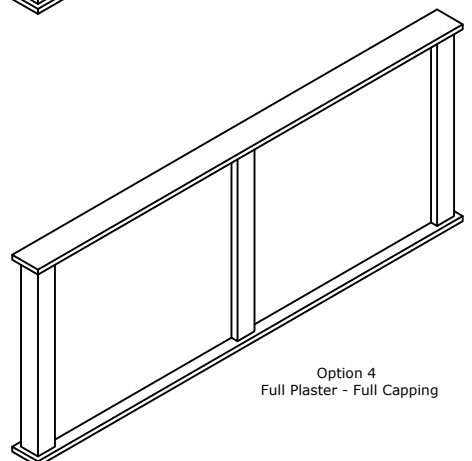
Option 3  
Negative groove - Column Caps



Option 3  
Full Plaster - Column Caps

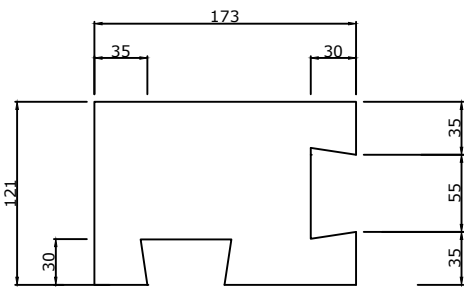
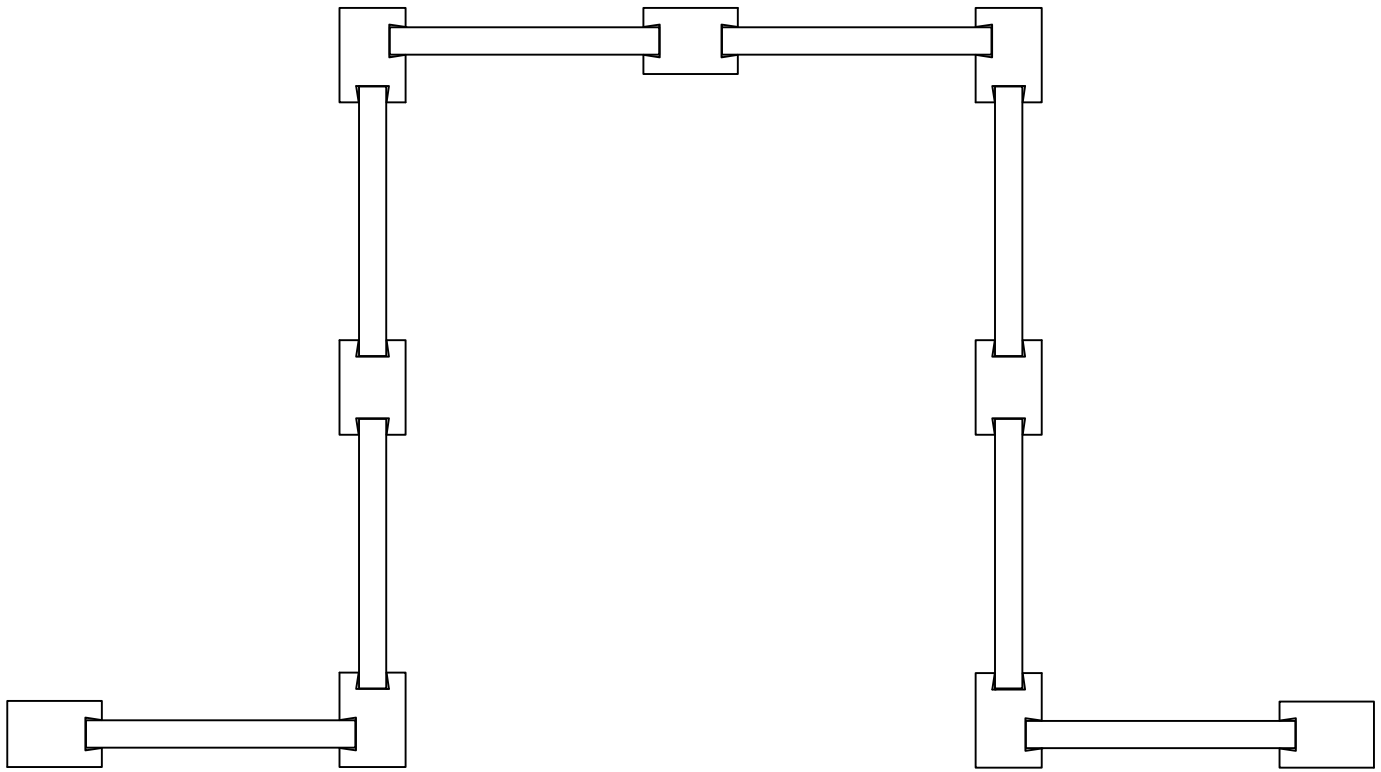


Option 4  
Negative groove - Full Capping

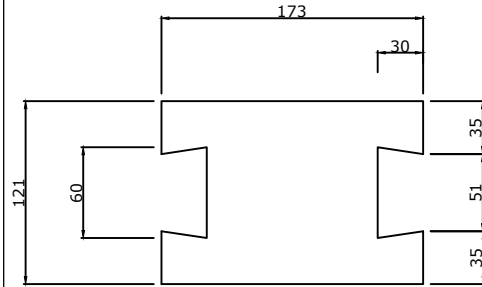


Option 4  
Full Plaster - Full Capping

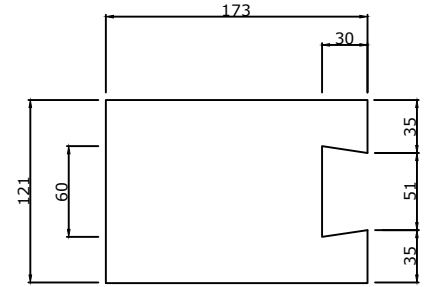
TradeSpec™ and RenderSpec™ are Registered Trademarks, both Documents are available on the Resene Construction Systems



Internal/External Corner Post



Inline Post



End Post

TradeSpec™ and RenderSpec™ are Registered Trademarks, both Documents are available on the Resene Construction Systems