

Sheet List Table	
Sheet Number	Sheet Title
122.00.00	Drawing Register
122.16.01	Fencing Options
122.16.02	Post Setout
122.16.03	Post Cross Section

TradeSpec™ and RenderSpec™ are Registered Trademarks, both Documents are available on the Resene Construction Systems



CONFIDENTIALITY: No part of this publication may be reproduced or transmitted other than the intended use by Resene Construction Systems without written consent from the author.

System
INTEGRA Fencing System

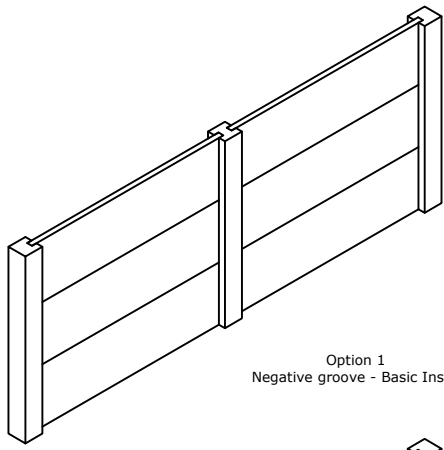
Substrate
Steel Z-Posts

Drawing Name
Drawing Register

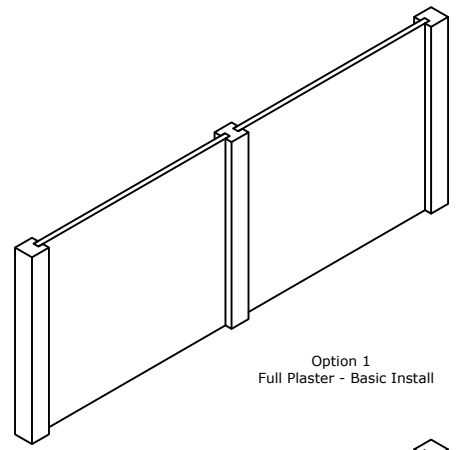
Scale
NTS @ A4

Date
6 September 2019

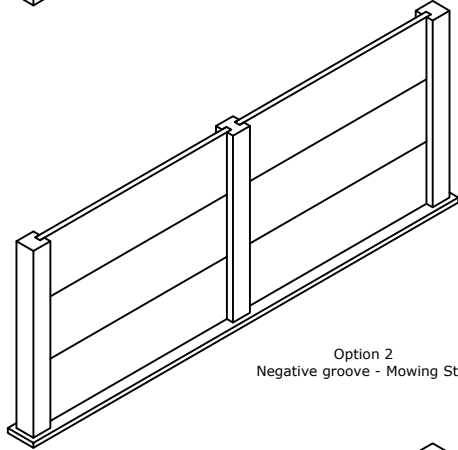
Sheet
122.00.00



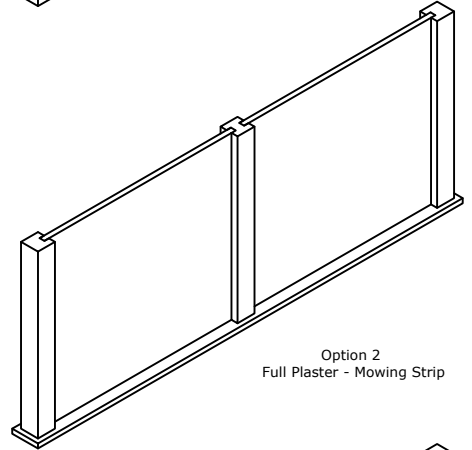
Option 1
Negative groove - Basic Install



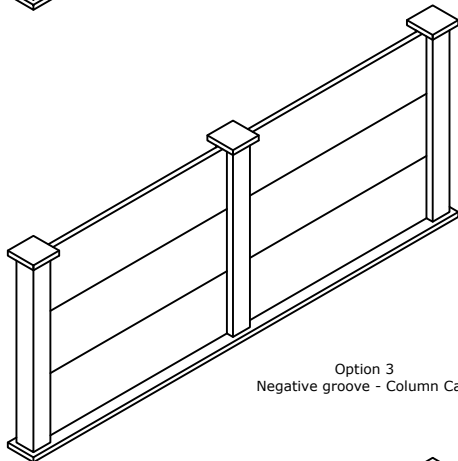
Option 1
Full Plaster - Basic Install



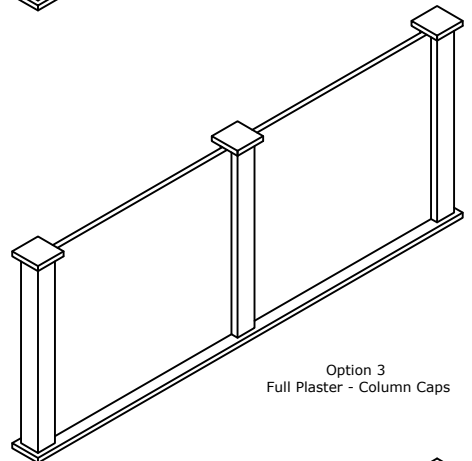
Option 2
Negative groove - Mowing Strip



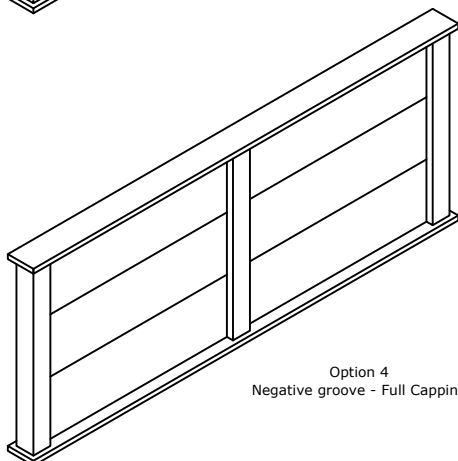
Option 2
Full Plaster - Mowing Strip



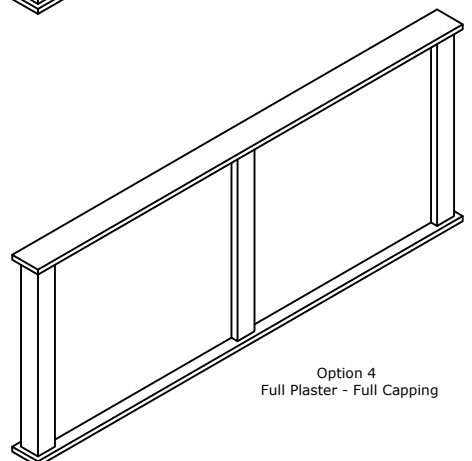
Option 3
Negative groove - Column Caps



Option 3
Full Plaster - Column Caps

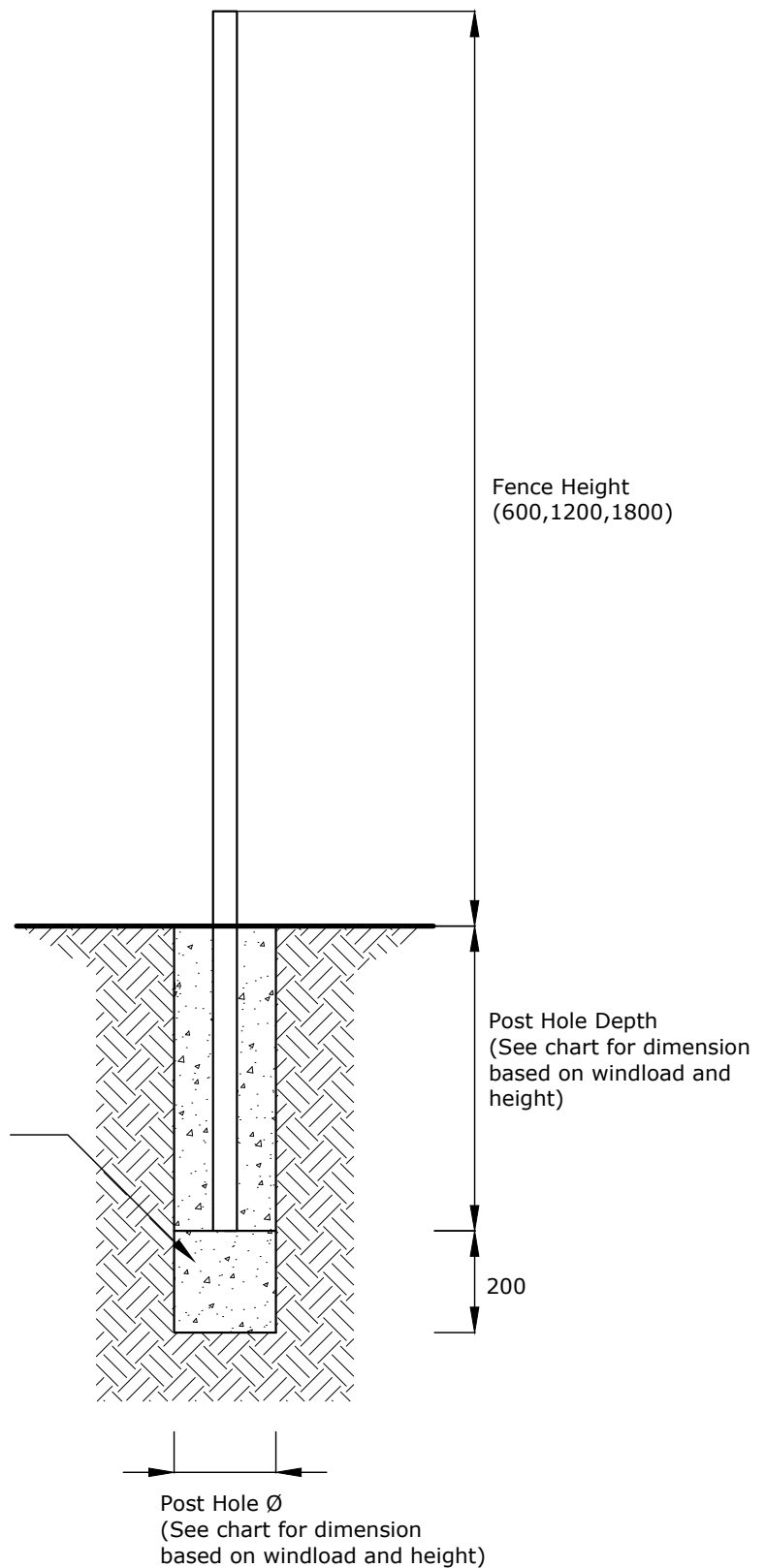
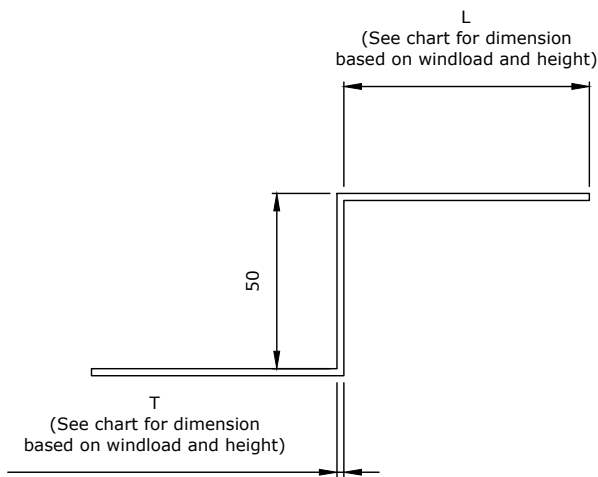


Option 4
Negative groove - Full Capping



Option 4
Full Plaster - Full Capping

TradeSpec™ and RenderSpec™ are Registered Trademarks, both Documents are available on the Resene Construction Systems



NOTES:

1. The Integra Panels are 2200mm long by 600mm high by 50mm thick;
2. The cold formed steel Z- and C-posts have been sized according to AS/NZS 4600: 2005 (Cold-Formed Steel Structures). The cold-formed steel posts are sized based on combined bending and axial compression loads (again assuming the panels hang from the posts).
3. The soil bearing required is a minimum of 100kPa working load or 150kPa ultimate load. Soil bearing can be checked using the approximate procedures of NZS 3604 : 1999
4. The Integra panel to post fixings are to be 10-gauge 100mm long screws.
5. Wind load governs the design of the Z-posts. The table and drawings detail the dimensions of the Z posts and associated postholes required.

Wind Zone	Fence Height (mm)	Leg Dimensions (L mm x T mm)	Posthole Dimensions (Ømm x mm depth)
Low	600	73 x 2	200 x 600
	1200	73 x 2	200 x 700
	1800	77 x 3	400 x 700
Medium	600	73 x 2	200 x 600
	1200	73 x 2	200 x 800
	1800	76 x 4	400 x 800
High	600	73 x 2	200 x 600
	1200	72 x 3	400 x 700
	1800	72 x 6	400 x 1000
Very High	600	73 x 2	200 x 600
	1200	72 x 3	400 x 800
	1800	72 x 6	400 x 1200

TradeSpec™ and RenderSpec™ are Registered Trademarks, both Documents are available on the Resene Construction Systems

